

m o o o i

Sofa So Good

MARCEL WANDERS



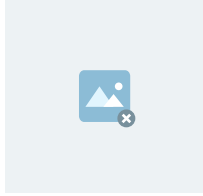
Sofa So Good by Marcel Wanders is a modular sofa system made of generous proportions and feather-like softness. It's made from the highest quality materials and combines smart design and ultimate comfort. A story of contrasts with its linear framework and curvy softness. The sofa system includes eight different upholstered modules, two tables and three shelves. The tables and shelves are available in six different wood finishes. An eclectic range of fabrics to choose from—like the newly added colours in the Extinct Animals fabric collection—completes the set-up. Sofa So Good is endlessly versatile and is suitable for any interior. In our online configurator you don't just create a sofa; you create a personal space tailored to your needs.

Detailing



Let Sofa So Good's generous proportions and featherlike comfort envelope you in a warm embrace.

Colours



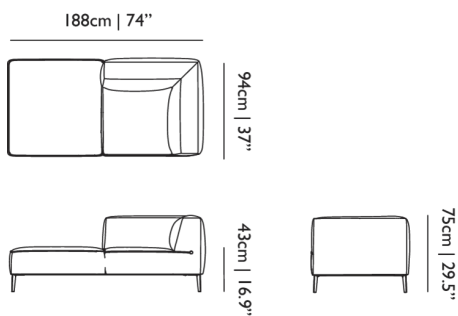
Choose your
own

Brown

CAT 1

Sofa So Good / Chaise Longue left

Dimensions



Product

WIDTH 94cm | 37"

HEIGHT 75cm | 29.5"

DEPTH 188cm | 74"

WEIGHT NETTO 61.5kg |
135.58lbs

Packaging

WIDTH 99cm | 39"

HEIGHT 62cm | 24.4"

CUBAGE 1.2m³ | 42.38ft³

LENGTH 195cm | 76.8"

WEIGHT 61.5kg | 135.58lbs

Technical

MATERIAL

Steel frame, foam on elastic straps, polished aluminum feet

HEIGHT ARMREST

75cm | 29.5"

SEAT DEPTH

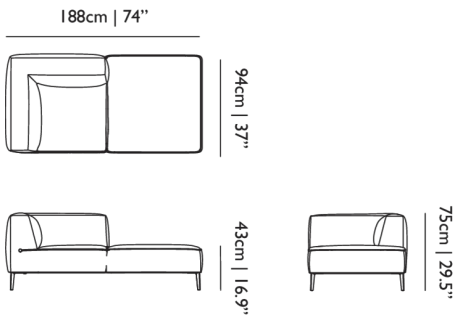
64cm | 25.2"

SEAT HEIGHT

43cm | 16.9"

Sofa So Good / Chaise Longue right

Dimensions



Product

WIDTH 94cm | 37"
HEIGHT 75cm | 29.5"
DEPTH 188cm | 74"
WEIGHT NETTO 61.5kg | 135.58lbs

Packaging

WIDTH 99cm | 39"
HEIGHT 62cm | 24.4"
CUBAGE 1.2m³ | 42.38ft³
LENGTH 195cm | 76.8"
WEIGHT 61.5kg | 135.58lbs

Technical

MATERIAL

Steel frame, foam on elastic straps, polished aluminum feet

HEIGHT ARMREST

75cm | 29.5"

SEAT DEPTH

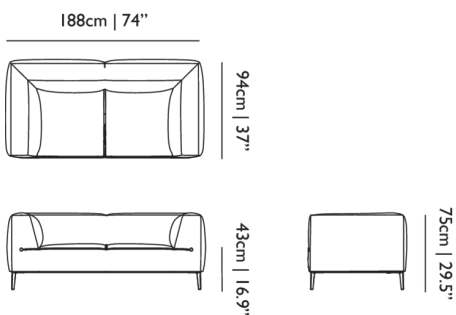
64cm | 25.2"

SEAT HEIGHT

43cm | 16.9"

Sofa So Good / Double Seat

Dimensions



Product

WIDTH 188cm | 74"
HEIGHT 75cm | 29.5"
DEPTH 94cm | 37"
WEIGHT NETTO 80kg | 176.37lbs

Packaging

WIDTH 101cm | 39.8"
HEIGHT 63cm | 24.8"
CUBAGE 1.23m³ | 43.37ft³
LENGTH 193cm | 76"
WEIGHT 80kg | 176.37lbs

Technical

MATERIAL

Steel frame, foam on elastic straps, polished aluminum feet

HEIGHT ARMREST

75cm | 29.5"

SEAT DEPTH

64cm | 25.2"

SEAT HEIGHT

43cm | 16.9"

SEAT WIDTH

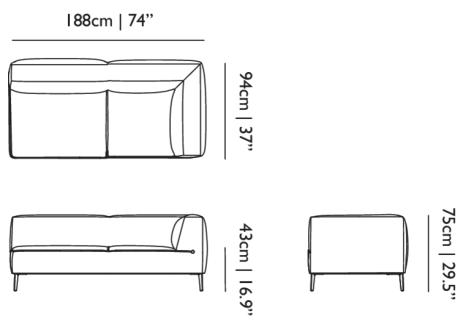
128cm | 50.4"

SEATING CAPACITY

2

Sofa So Good / Double No Arm left

Dimensions



Product

WIDTH 188cm | 74"

HEIGHT 75cm | 29.5"

DEPTH 94cm | 37"

WEIGHT NETTO 66.5kg |

146.6lbs

Packaging

WIDTH 99cm | 39"

HEIGHT 62cm | 24.4"

CUBAGE 1.2m³ | 42.38ft³

LENGTH 195cm | 76.8"

WEIGHT 66.5kg | 146.6lbs

Technical

MATERIAL

Steel frame, foam on elastic straps, polished aluminum feet

HEIGHT ARMREST

75cm | 29.5"

SEAT DEPTH

64cm | 25.2"

SEAT HEIGHT

43cm | 16.9"

SEAT WIDTH

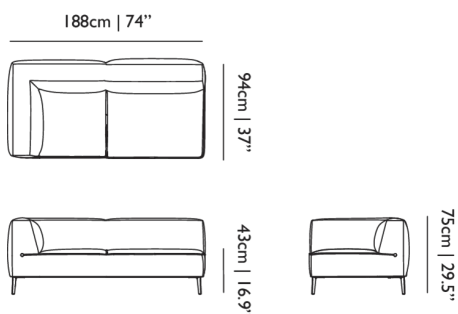
158cm | 62.2"

SEATING CAPACITY

2

Sofa So Good / Double No Arm right

Dimensions



Product

WIDTH 188cm | 74"
HEIGHT 75cm | 29.5"
DEPTH 94cm | 37"
WEIGHT NETTO 66.5kg | 146.6lbs

Packaging

WIDTH 99cm | 39"
HEIGHT 62cm | 24.4"
CUBAGE 1.2m³ | 42.38ft³
LENGTH 195cm | 76.8"
WEIGHT 66.5kg | 146.6lbs

Technical

MATERIAL

Steel frame, foam on elastic straps, polished aluminum feet

HEIGHT ARMREST

75cm | 29.5"

SEAT HEIGHT

43cm | 16.9"

SEATING CAPACITY

2

SEAT DEPTH

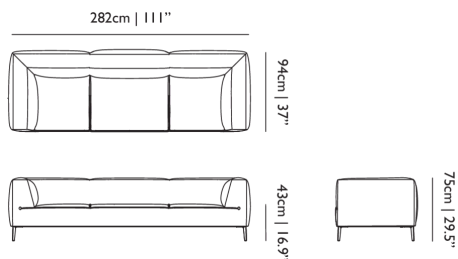
64cm | 25.2"

SEAT WIDTH

158cm | 62.2"

Sofa So Good / Triple Seat

Dimensions



Product

WIDTH 282cm | 111"
HEIGHT 75cm | 29.5"
DEPTH 94cm | 37"
WEIGHT NETTO 100kg | 220.46lbs

Packaging

WIDTH 99cm | 39"
HEIGHT 62cm | 24.4"
CUBAGE 1.77m³ | 62.43ft³
LENGTH 288cm | 113.4"
WEIGHT 95.5kg | 210.54lbs

Technical

MATERIAL

Steel frame, foam on elastic straps, polished aluminum feet

HEIGHT ARMREST

75cm | 29.5"

SEAT DEPTH

64cm | 25.2"

SEAT HEIGHT

43cm | 16.9"

SEAT WIDTH

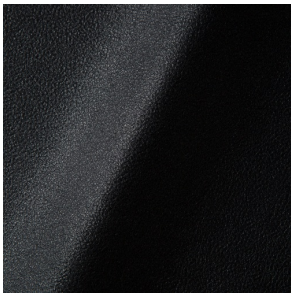
222cm | 87.4"

SEATING CAPACITY

3

Upholstery

ABBRACCI (available in 5 colours)



COMPOSITION

100% PES

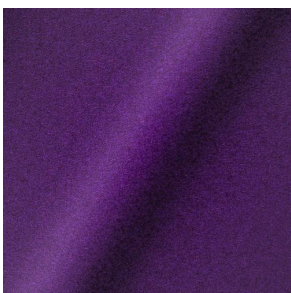
ABRASION

30000 martindale
lightfastness 3 - 4
pilling 5

FIRE RESISTANCE

BS 5852 - Ignition source
0 (Cigarette)
BS 5852 - Ignition source
1 (Match flame equivalent)
EN 1021-1 (Cigarette)
EN 1021-2 (Match)
TB 117-2013

DIVINA 3 (available in 56 colours)



COMPOSITION

100% WO

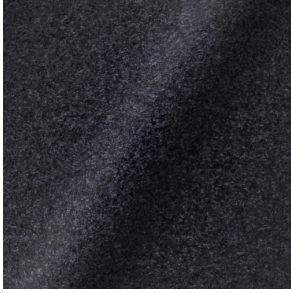
ABRASION

45000 martindale
lightfastness 7
pilling 3

FIRE RESISTANCE

BS 5852 - Ignition source
0 (Cigarette)
BS 5852 - Ignition source
5 (Crib 5)
BS 5852 - Ignition source
1 (Match flame equivalent)
EN 1021-1 (Cigarette)
EN 1021-2 (Match)
TB 117-2013
EU Ecolabel

DIVINA MD (available in 27 colours)



COMPOSITION
100% WO

ABRASION
45000 martindale
lightfastness 6
pilling 3

FIRE RESISTANCE
BS 5852 - Ignition source
0 (Cigarette)
BS 5852 - Ignition source
5 (Crib 5)
BS 5852 - Ignition source
1 (Match flame equivalent)
EN 1021-1 (Cigarette)
EN 1021-2 (Match)
EU Ecolabel

DIVINA MELANGE 3 (available in 49 colours)

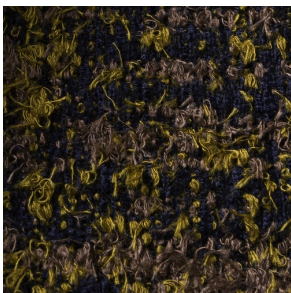


COMPOSITION
100% WO

ABRASION
45000 martindale
lightfastness 6 - 7
pilling 3

FIRE RESISTANCE
BS 5852 - Ignition source
0 (Cigarette)
BS 5852 - Ignition source
5 (Crib 5)
BS 5852 - Ignition source
1 (Match flame equivalent)
EN 1021-1 (Cigarette)
EN 1021-2 (Match)
TB 117-2013
EU Ecolabel

Bearded Leopard (available in 3 colours)



COMPOSITION
77% CV, 15% PES, 7% CO,
1% PA

ABRASION
15000 martindale
lightfastness 4 - 6
pilling 4

Calligraphy Bird (available in 4 colours)



COMPOSITION

64% CV, 21% PES, 15%
CO

ABRASION

50000 martindale
lightfastness 4 - 6
pilling 5

Blushing Sloth Melange Mohair (available in 1 colours)



COMPOSITION

85% WV, 15% WM

ABRASION

15000 martindale
lightfastness 4 - 6
pilling 2 - 3

Blushing Sloth Woolly Mohair (available in 1 colours)



COMPOSITION

24% PES, 15% PA, 8% CO,
24% WM, 29% WV

ABRASION

40000 martindale
lightfastness 4 - 6
pilling 3 - 4

FIORD (available in 39 colours)



COMPOSITION

92% WV, 8% PA

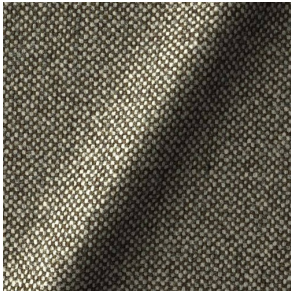
ABRASION

60000 martindale
lightfastness 6
pilling 4 - 5

FIRE RESISTANCE

EN 1021-1 (Cigarette)
EN 1021-2 (Match)
BS 5852 - Ignition source
0 (Cigarette)
BS 5852 - Ignition source
1 (Match flame equivalent)

HALLINGDAL 65 (available in 58 colours)



COMPOSITION

30% CV, 70% WV

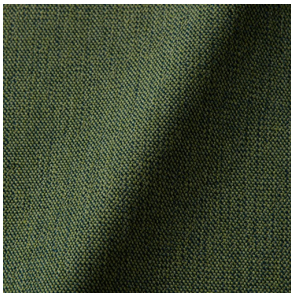
ABRASION

100000 martindale
lightfastness 7
pilling 3 - 4

FIRE RESISTANCE

BS 5852 - Ignition source
0 (Cigarette)
BS 5852 - Ignition source
5 (Crib 5)
BS 5852 - Ignition source
1 (Match flame equivalent)
EN 1021-1 (Cigarette)
EN 1021-2 (Match)
TB 117-2013
EU Ecolabel

JUSTO (available in 10 colours)



COMPOSITION

15% CO, 35% PC, 10% PA,
40% CV

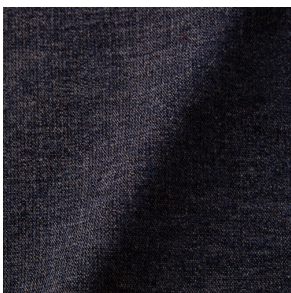
ABRASION

50000 martindale
lightfastness 5
pilling 4

FIRE RESISTANCE

EN 1021-1 (Cigarette)
EN 1021-2 (Match)
TB 117-2013

LISCIO (available in 11 colours)



COMPOSITION

35% WO, 35% CV, 21%
CO, 9% PA

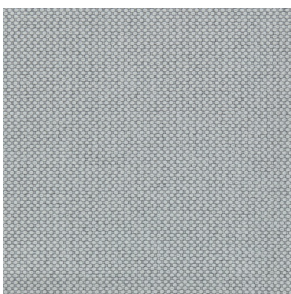
ABRASION

30000 martindale
lightfastness 4 - 6
pilling 4

FIRE RESISTANCE

TB 117-2013

MERIT (available in 43 colours)



COMPOSITION

24% PES, 76%

ABRASION

85000 martindale
lightfastness 7
pilling 4

ORAY RAY (available in 15 colours)

COMPOSITION

39% LI, 38% CV, 15% PE,
8% CO

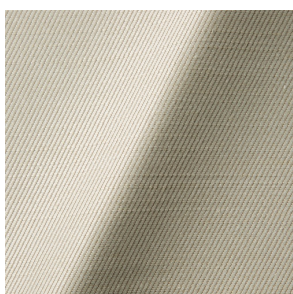
ABRASION

30000 martindale
pilling 4 - 5

FIRE RESISTANCE

BS 5852 - Ignition source
0 (Cigarette)
BS 5852 - Ignition source
1 (Match flame equivalent)
TB 117-2013

ORAY RONAN (available in 5 colours)



COMPOSITION

39% LI, 38% CV, 15% PE,
8% CO

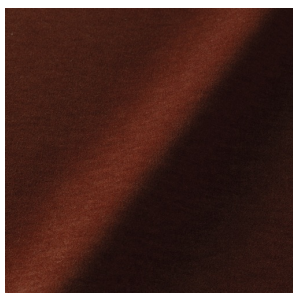
ABRASION

30000 martindale
pilling 4 - 5

FIRE RESISTANCE

BS 5852 - Ignition source
0 (Cigarette)
BS 5852 - Ignition source
1 (Match flame equivalent)
TB 117-2013

PALETTE (available in 24 colours)



COMPOSITION

42% CO, 29% WO, 29%
TL

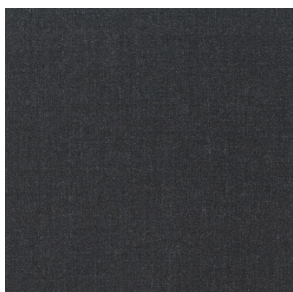
ABRASION

45000 martindale
lightfastness 4 - 5
pilling 3 - 3

FIRE RESISTANCE

BS 5852 - Ignition source
0 (Cigarette)
TB 117-2013
BS 5852 - Ignition source
5 (Crib 5)

REMIX 3 (available in 53 colours)



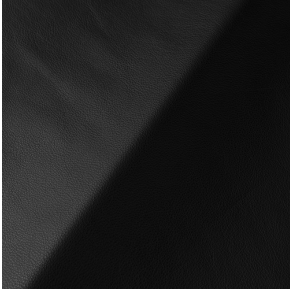
COMPOSITION

10% PA, 90% WV

ABRASION

100000 martindale
lightfastness 5
pilling 4

SAVANNE (available in 3 colours)



FIRE RESISTANCE

EN 1021-1 (Cigarette)
EN 1021-2 (Match)
TB 117-2013
OEKO-TEX

SHADE (available in 6 colours)



ABRASION

lightfastness 3 - 4

FIRE RESISTANCE

EN 1021-1 (Cigarette)
EN 1021-2 (Match)
TB 117-2013

SOLIS (available in 9 colours)



COMPOSITION

60% WO, 30% PES, 2%
PA, 3% PC

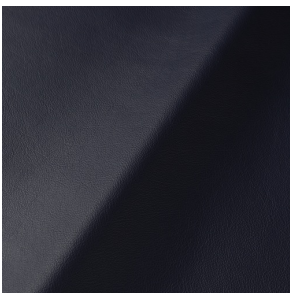
ABRASION

40000 martindale
lightfastness 5
pilling 3 - 4

FIRE RESISTANCE

EN 1021-1 (Cigarette)
EN 1021-2 (Match)
TB 117-2013

SPECTRUM (available in 11 colours)



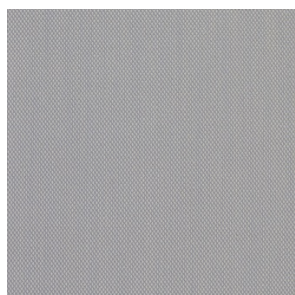
ABRASION

lightfastness 6 - 6

FIRE RESISTANCE

EN 1021-1 (Cigarette)
EN 1021-2 (Match)
TB 117-2013
OEKO-TEX

STEELCUT TRIO 3 (available in 54 colours)



COMPOSITION

90% WV, 10% PA

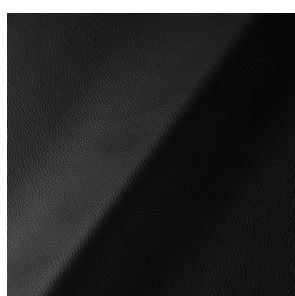
ABRASION

100000 martindale
lightfastness 5
pilling 4

FIRE RESISTANCE

BS 5852 - Ignition source
0 (Cigarette)
BS 5852 - Ignition source
1 (Match flame equivalent)
EN 1021-1 (Cigarette)
EN 1021-2 (Match)
EU Ecolabel

ULTRA (available in 6 colours)



ABRASION

lightfastness 6 - 7

FIRE RESISTANCE

EN 1021-1 (Cigarette)
EN 1021-2 (Match)
TB 117-2013
ANSI/BIFMA M7.1 (Total
Volatile Organic
Compounds)

VESPER (available in 8 colours)



COMPOSITION

10% CO, 40% LI, 10% PA,
10% PES, 30% CV

ABRASION

40000 martindale
lightfastness 5
pilling 4

FIRE RESISTANCE

EN 1021-1 (Cigarette)
EN 1021-2 (Match)
TB 117-2013
